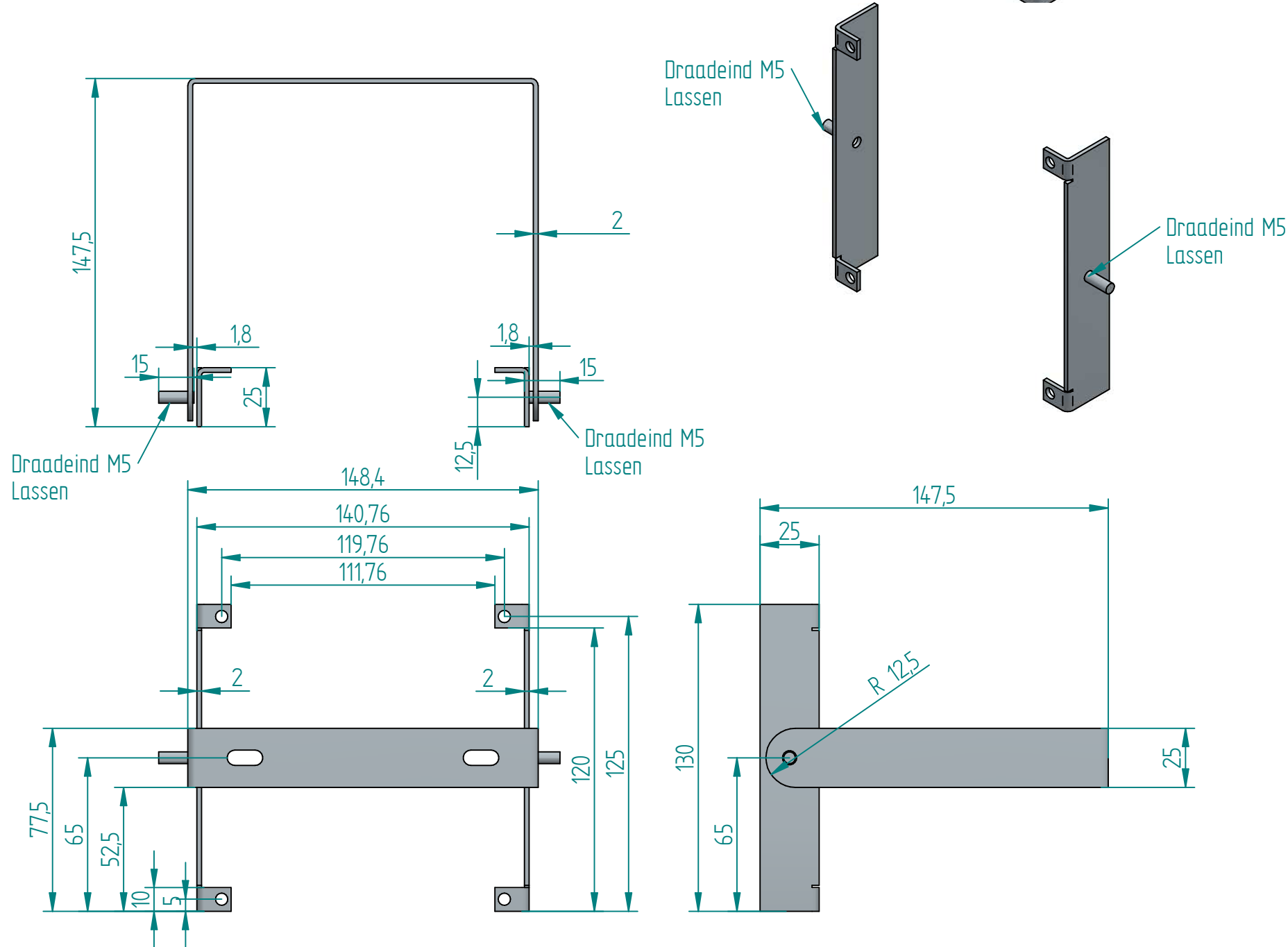
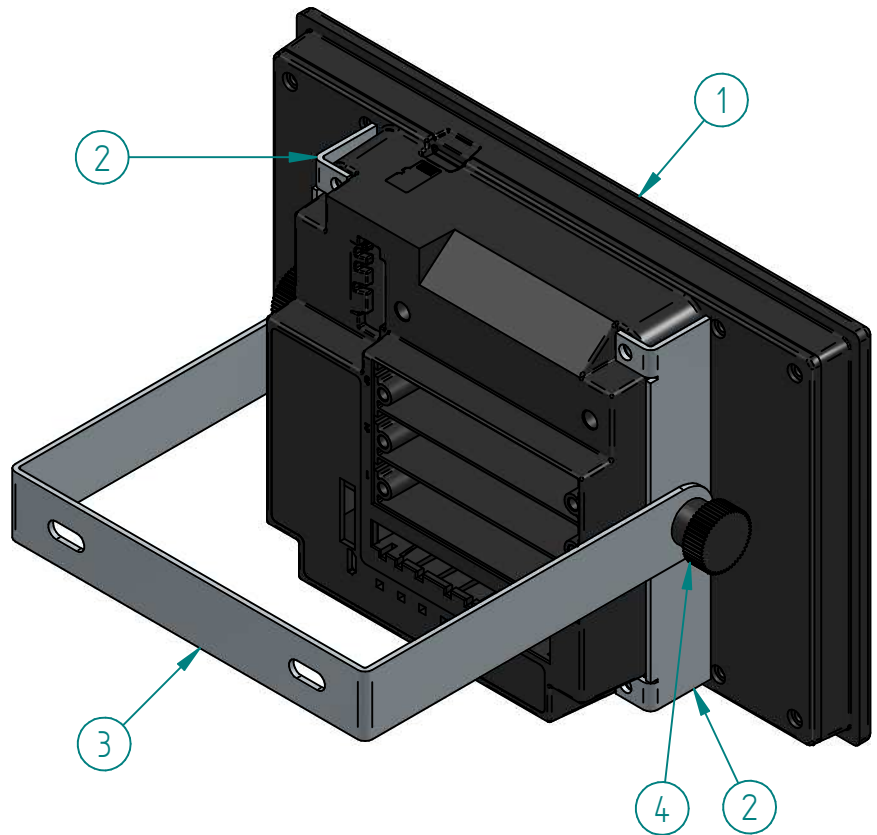
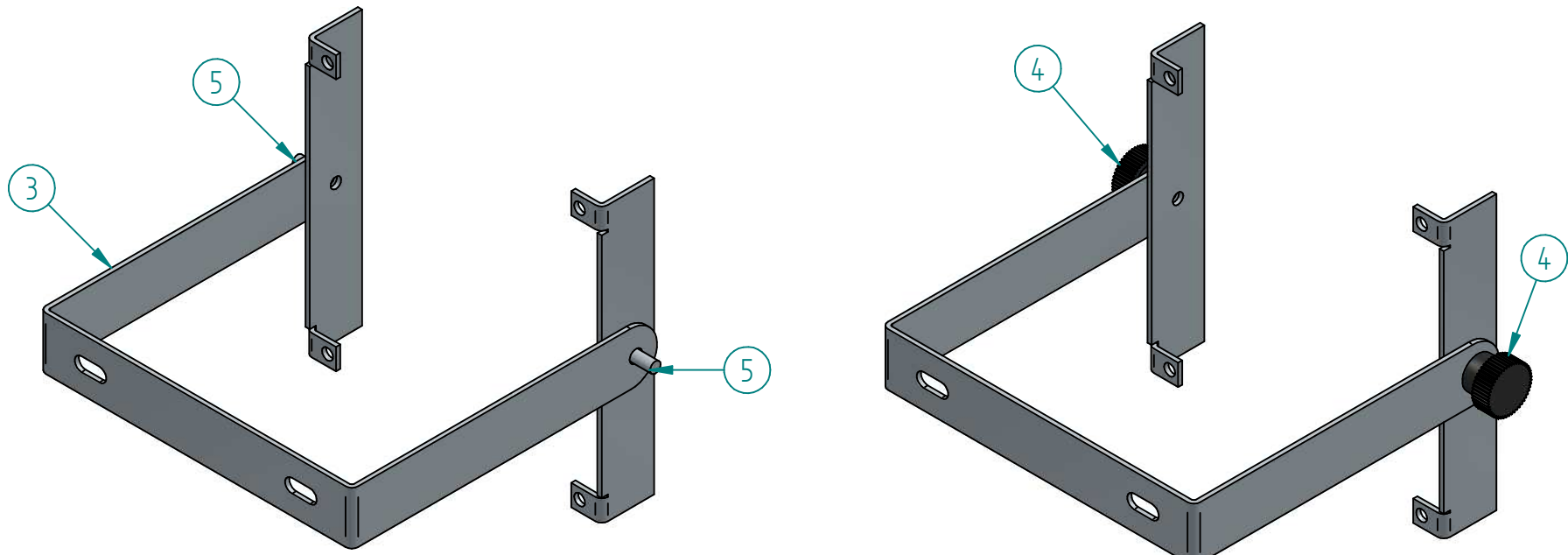


REVISION HISTORY			
REV	DESCRIPTION	DATE	APPROVED



Item Number	File Name	Material	Quantity
1	OMC-140 Display		1
2	Beugel zijkant	SS316	2
3	Beugel onderkant	SS316	1
4	Kartelknop		2
5	Draadeind	SS316	2

	NAME	DATE
DRAWN	E. Mourik	27-11-2015
CHECKED	H. Ouadi	27-11-2015
ENG APPR		
MGR APPR		

**OBSERVATOR**  
instruments

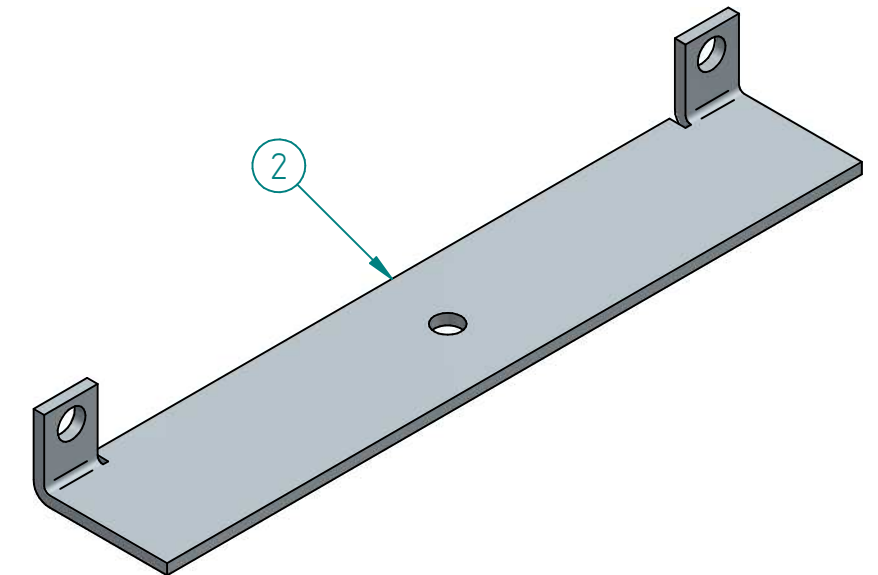
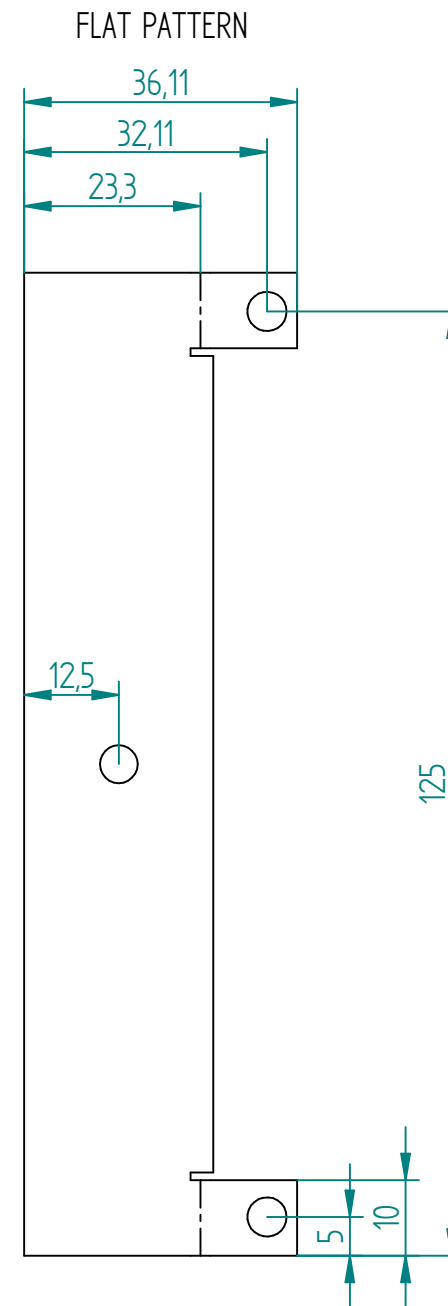
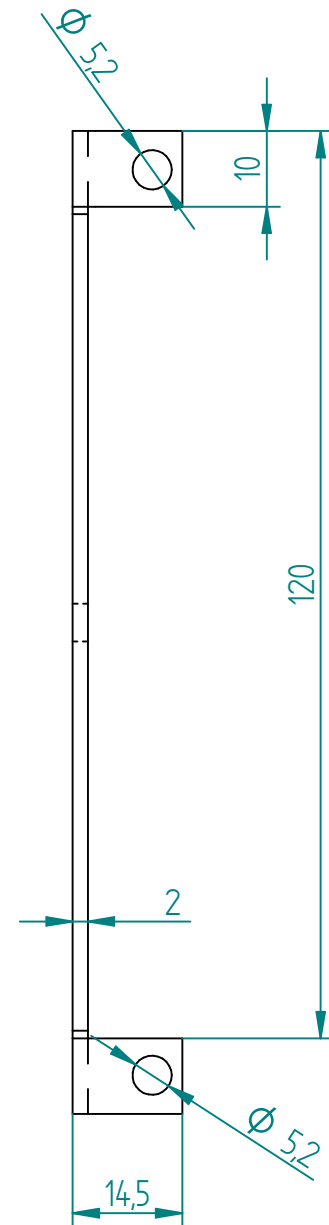
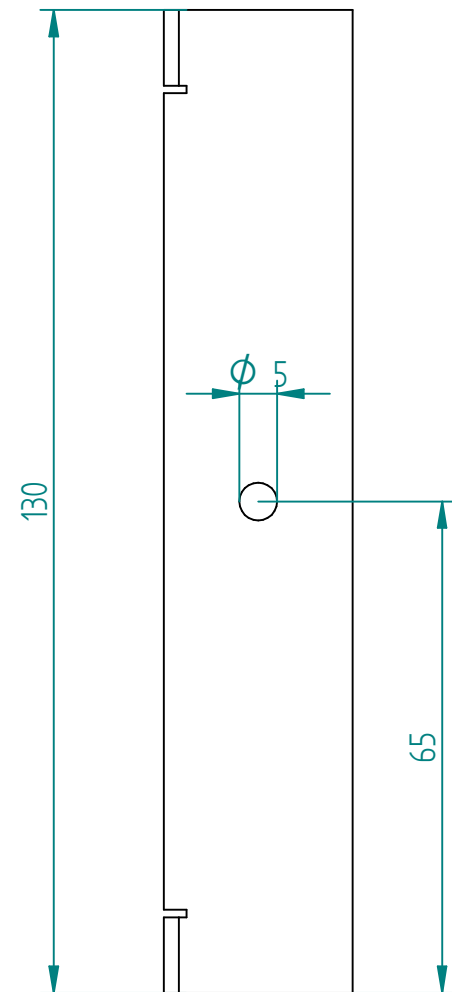
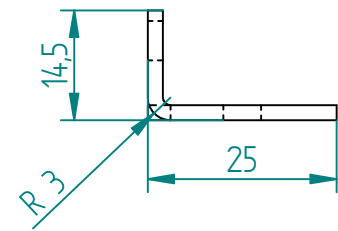
Project: OMC-140 Bracket Assembly


Observator Instruments  
2984 BM Ridderkerk  
The Netherlands  
Email: info@observator.com  
www.observator.com

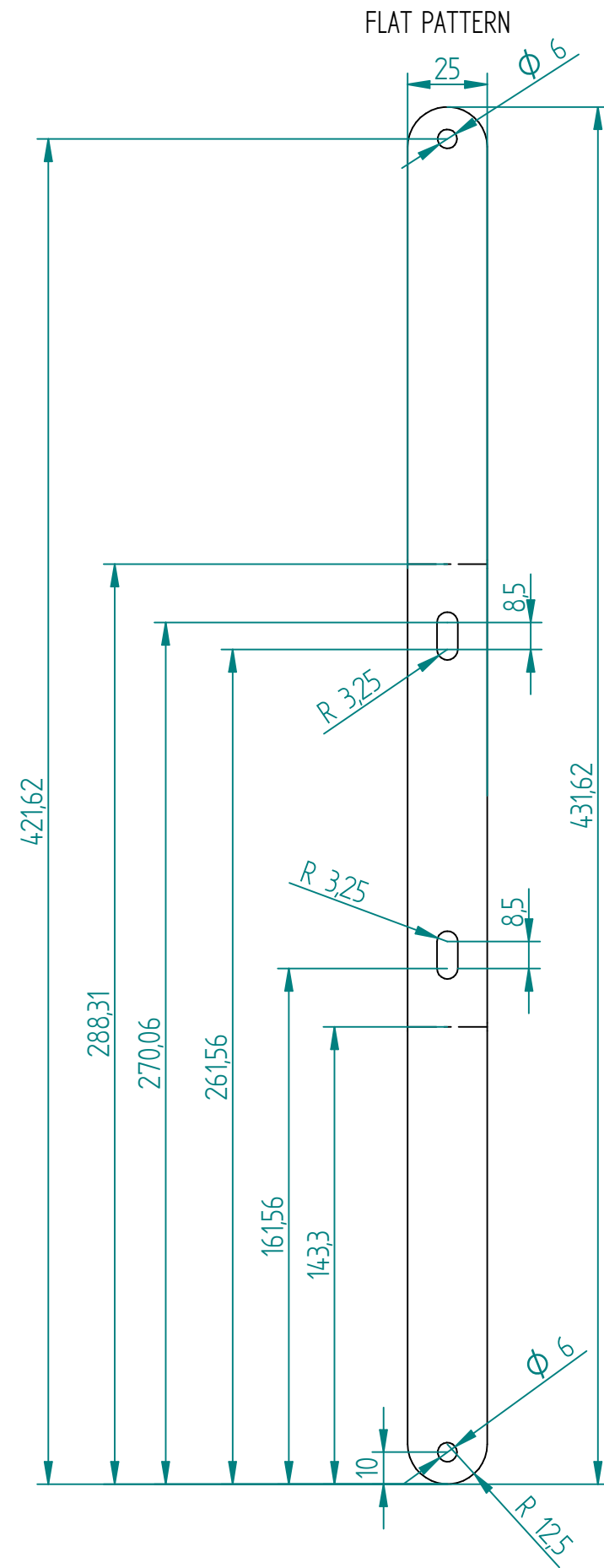
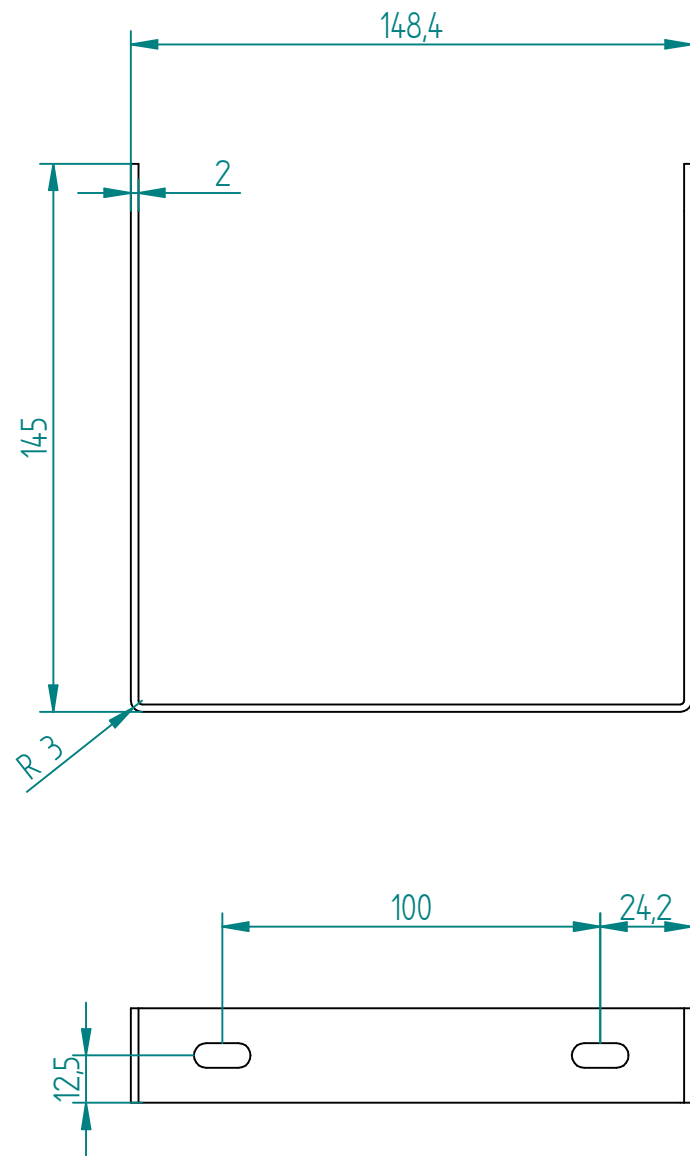
SIZE	DWG NO	REV
A3	OMC-140 Bracket Assembly	
FILE NAME: OMC-140 Bracket Assembly.dft		
SCALE:	WEIGHT:	SHEET 1 OF 3

REVISION HISTORY

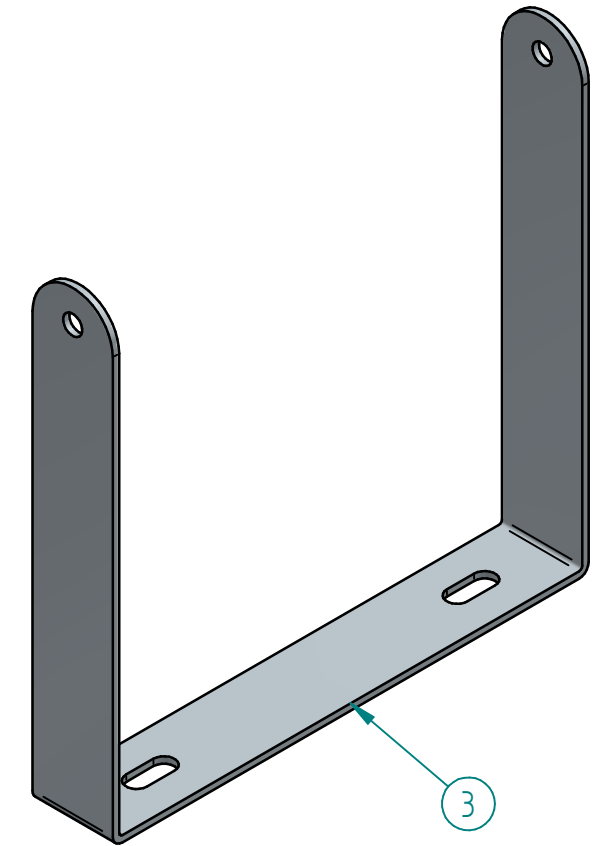
REV	DESCRIPTION	DATE	APPROVED




	NAME	DATE	
DRAWN	E. Mourik	27-11-2015	
CHECKED	H. Ouadi	27-11-2015	
ENG APPR			
MGR APPR			Project: OMC-140 Bracket Assembly
Observator Instruments 2984 BM Ridderkerk The Netherlands Email: info@observator.com www.observator.com			SIZE: A3 DWG NO: OMC-140 Bracket Assembly FILE NAME: OMC-140 Bracket Assembly.dft
SCALE:		WEIGHT:	SHEET 2 OF 3



REVISION HISTORY			
REV	DESCRIPTION	DATE	APPROVED



	NAME	DATE		
DRAWN	E. Mourik	27-11-2015	Project: OMC-140 Bracket Assembly	
CHECKED	H. Ouadi	27-11-2015	SIZE	DWG NO
ENG APPR			A3	OMC-140 Bracket Assembly
MGR APPR			FILE NAME:	OMC-140 Bracket Assembly.dft
Observator Instruments 2984 BM Ridderkerk The Netherlands Email: info@observator.com www.observator.com			SCALE:	WEIGHT:
			SHEET 3 OF 3	