

MS--Albedo Quick Start Guide



For all MS--80 / 60 / 40 models

Outline

Thank you for using EKO Products. For installation of the pyranometers in combination with the MS--Albedo plate the instructions are in the Quick Start Guide.

1. Included items
2. Setup location
3. Assembly

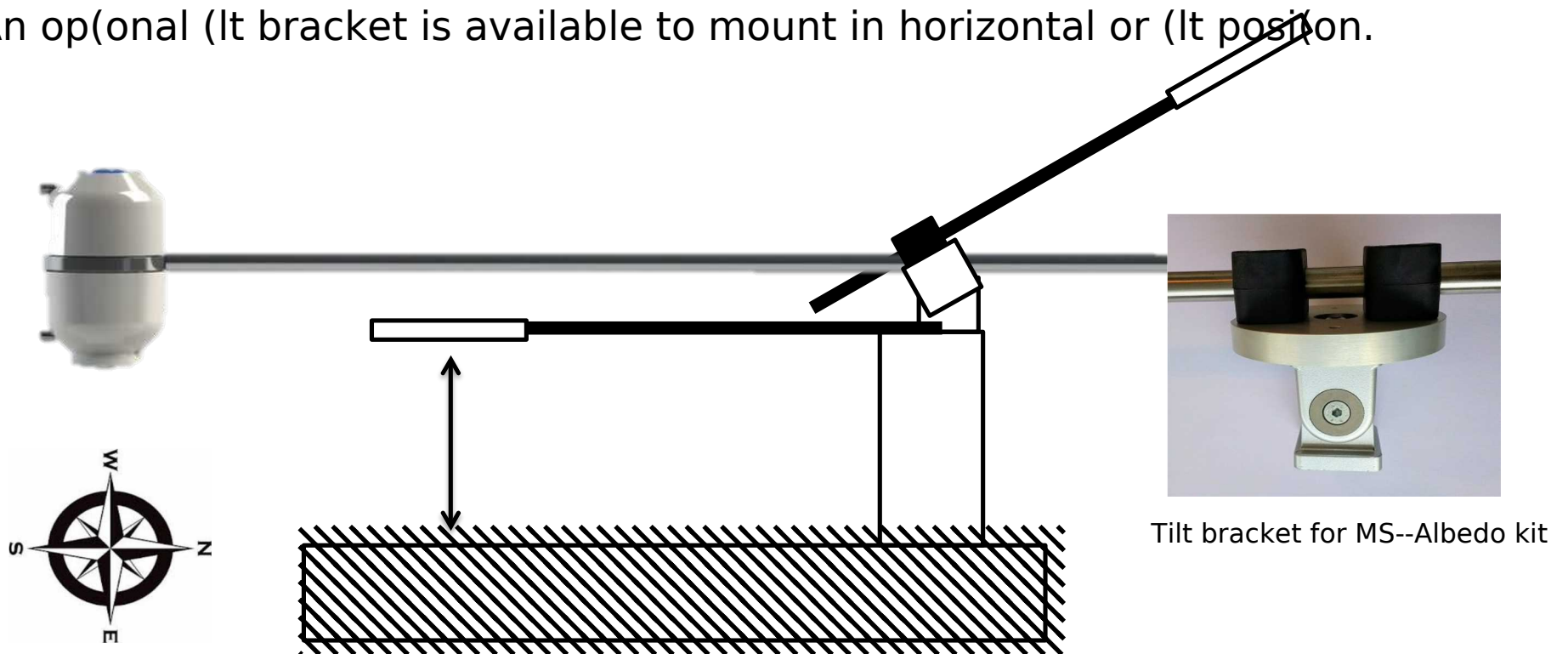
1. Included items

- 1x mounting arm
- 1x mounting flange for MS--80/60/40
- Included to the pyranometer box (2x bolts (M5) / 2 x nuts (M5) / 4 x washers (M5))
- Glare screen (for downward facing sensor)

2. Set-up locaFon

The MS--Albedo configura(on can be setup onsite. Use a solid base to mount the arm in horizontal or (lled posi(on with the arm oriented towards the nearest pole (horizontal posi(on). The op(mal height and (lt* posi(on depend on the applica(on).

*An op(onal (lt bracket is available to mount in horizontal or (lt posi(on).



Tilt bracket for MS--Albedo kit

3. Assembly

1. Attach the albedo arm to a solid base (Pole, frame, table).



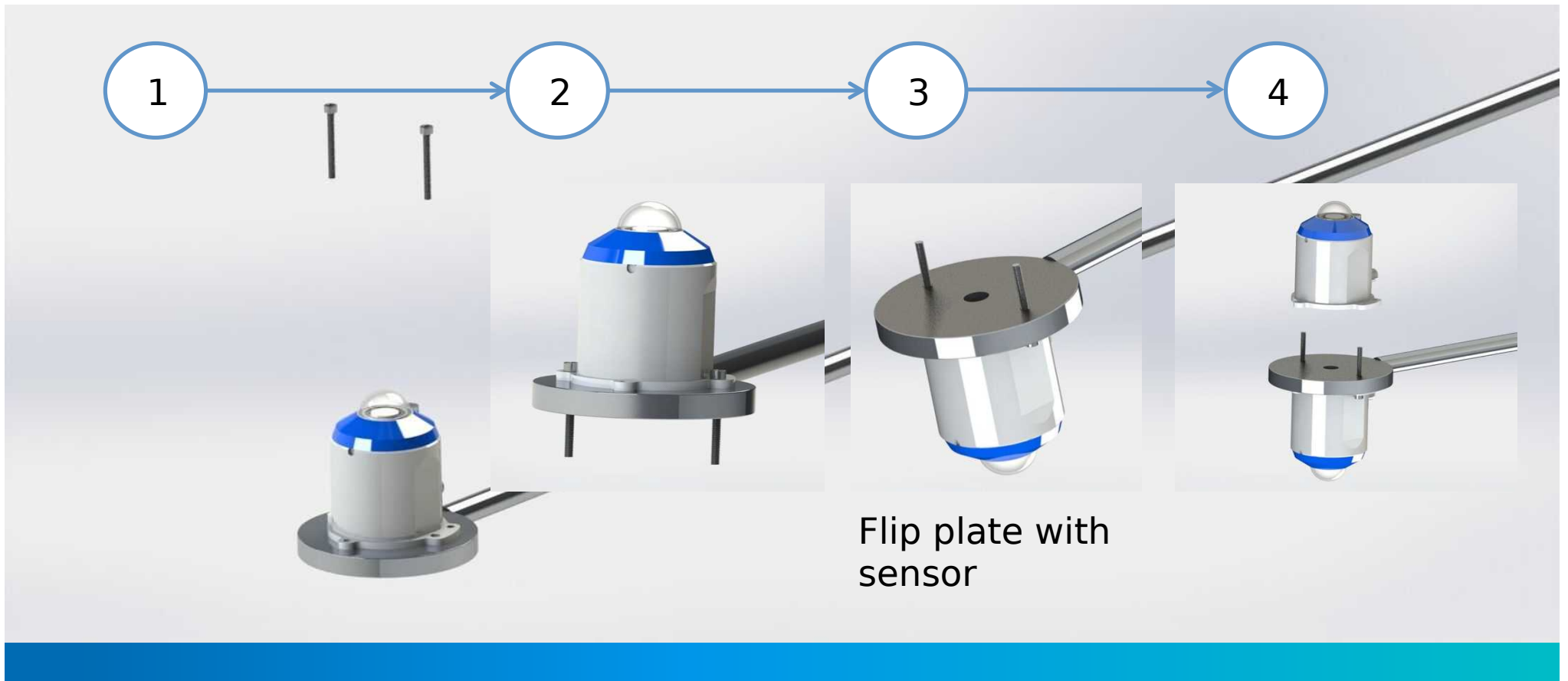
3. Assembly

2. Remove the sunscreen and leveling feet from the 2 pyranometers. The pyranometers can be directly mounted to the plate.



3. Assembly

3. Attach the pyranometers to the plate using the M5 bolts, washers and nuts provided with the pyranometers (step 1--4).



3. Assembly

4. Attach the glare-screen* to the sunscreen.

*Only for the downward facing sensor



1. Insert



2. Put in position



3. Rotate 90 degrees

3. Assembly

5. Attach the two sunscreens.

