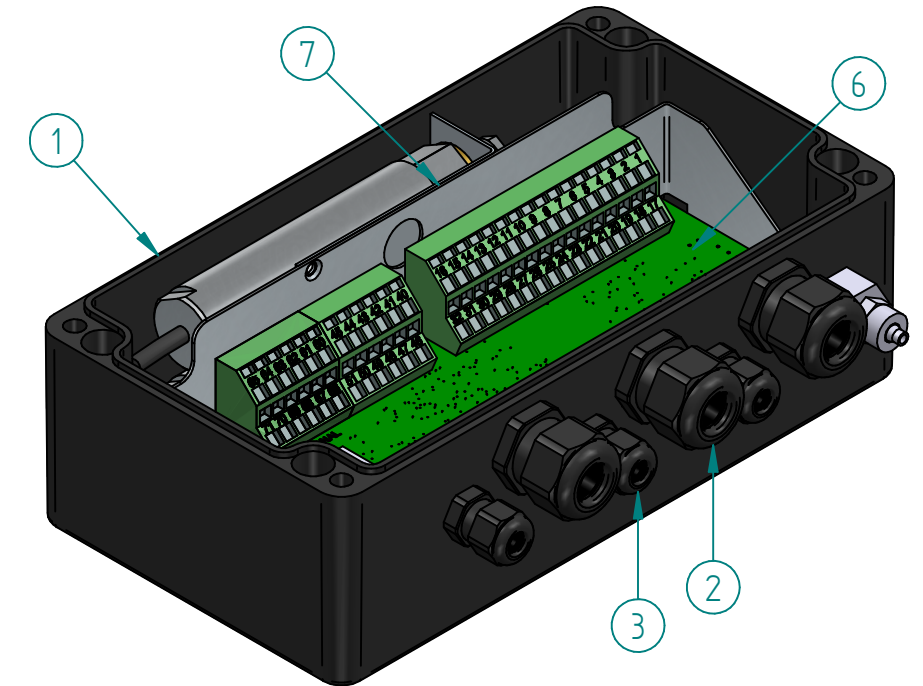


REVISION HISTORY			
REV	DESCRIPTION	DATE	APPROVED



ALL DIMENSIONS IN MM

Item Number	File Name	Material	Quantity
1	Junction Box	Polyester	1
2	Gland M20x15 (Cable OD: 7-12mm)	Polyester	3
3	Gland M12x15 (Cable OD: 4-8mm)	Polyester	3
4	Terps Barosensor 8100 Female	-	1
5	Base Plate	Stainless Steel	1
6	OIC PCB	-	1
7	Baro Plate	Stainless Steel	1
8	Nipple 1/4" BSP to 4mm Barbed	Stainless Steel	1
9	Valve G1/4" x6/4	Stainless Steel	1
10	Threaded G1/4 to Tube Adapter 6mm	Stainless Steel	1
11	Mounting Plate Terps	Stainless Steel	1

	NAME	DATE	OBSERVATOR instruments	
DRAWN	E. Mourik	11-3-2020	Project: OIC-504 Dimensions	
CHECKED	H. Barth	11-3-2020	SIZE A3	DWG NO OIC-504 Dimensions
ENG APPR			FILE NAME: OIC-504 Dimensions.dft	REV
MGR APPR			SCALE:	WEIGHT:
Observer Instruments 2984 BM Ridderkerk The Netherlands Email: info@observator.com www.observator.com			SHEET 1 OF 1	

Note:
Check all connections before power is applied!
GND connections are EMC filtered for low power sensors: overload (>0.5A) may cause permanent damage!
Use GND [SUP] terminal 9 or 13 for higher current (<10A) connections.